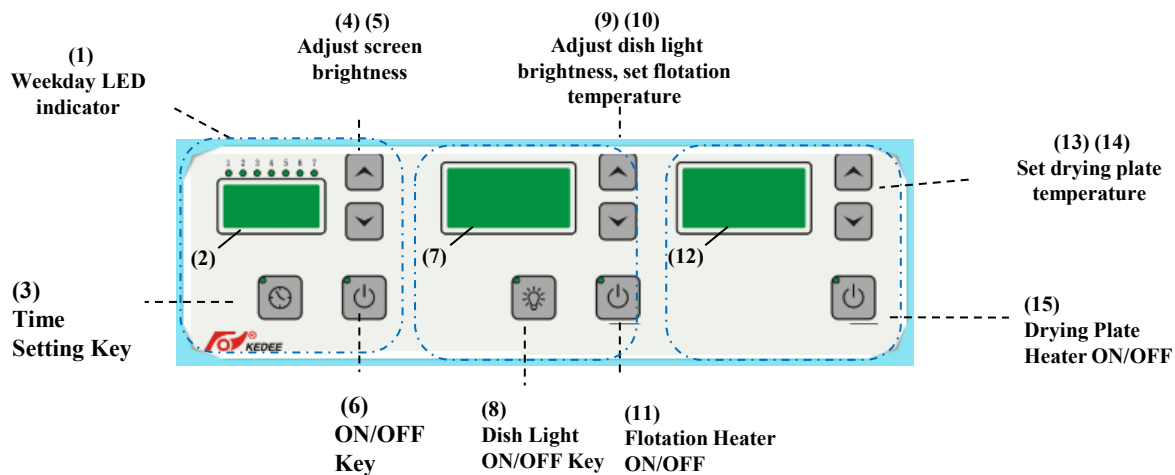


Quick Start



- I. Turn on the power (the green switch on the rear) and put the probe firmly into the water.
- II. The current dish temperature is shown on the screen 7; click Key 9 and 10 to adjust temperature; the setting will be automatically saved, and the screen shows the actual temperature after 10s.
- III. The current drying plate temperature is shown on the screen 12; click Key 13 and 14 to adjust temperature; the setting will be automatically saved, and the screen shows the actual temperature after 10s.
- IV. Click Key 8 to turn on the dish light. Press the key until Screen 7 shows brightness (0-124), click Key 9 or 10 to adjust the brightness, and the setting is automatically saved and exit after 10s.
- V. To adjust the brightness of the screens, press and hold Key 4 or 5 when the top corner LED indicator of Key 6 is off.

Now, the unit is ready to go

IF YOU WISH TO USE TIMER CONTROL:

Timer Control to Turn on the Unit

Initially, the current date and time are indicated by the LED light above Screen 2 (Monday - Sunday) and the time shown on Screen 2, respectively.

Click Key 3 to view the current time setting: the weekdays and the time when the unit will be automatically turned on are indicated by the LED lights and the time on the screen.

TO calibrate the date, click Key 3 again until the LED light blinks and then click Key 5 to adjust; **TO calibrate the time**, click Key 3 to save date setting and then click Key 4 or 5 to adjust the time, followed by clicking Key 3 to save and exit.

TO edit timer setting, press and hold Key 3 for several seconds until the LED light blinks; click Key 4 to switch ON/OFF of whether the unit will be automatically turned on at the 'blinking' day; click Key 5 to move to the next day; then click Key 3 to save and enter hour/minute setting and finally click Key 3 again to save the time setting for timer control.

Automatically Turn Off Waterbath (Floating)

Press and hold Key 11 to enter time setting for automatically turning off waterbath heating (countdown to stop heating). Press Key 9 or 10 to turn ON or OFF the timer control function. Under ON, press 11 until the screen shows the hour and then click Key 9 or 10 to set the heating duration in a range of 1-12 H. When the countdown time ends, the waterbath will automatically stop heating.

Automatically Turn Off Oven (Drying)

Similarly, the oven heating can be automatically controlled by using Key 15 in combination with Key 13 and 14.

Distributed By:

NEWCOMER SUPPLY[®]
Your Histology Supplier

Middleton, WI • (800) 383 • 7799 • www.newcomersupply.com